



Building Products

HB&G
1015 BRUNDIDGE BLVD.
TROY, AL 36081
PHONE: 1-800-264-4HBG
FAX: 1-334-566-4629
www.hbgcolumns.com

SELECT DESIRED FIBERGLASS COLUMN WITH POLY TUSCAN CAP-BASE SET:

980056 - 10" X 8' PLAIN ROUND TAPERED

980058 - 10" X 10" X 8' PLAIN SQUARE PULTRUDED

SELECT DESIRED COATING COLOR: (CHROMAGUARD® ENGINEERED COATING)

STANDARD:

WHITE (INCLUDED)

SEMI-CUSTOM:

LINEN (917058)

ESTATE (917054)

FOG (917055)

MOSS (917059)

TRICORN (917061)

SADDLE (917060)

CREAM (917053)

JAVA (917056)

LATTE (917057)

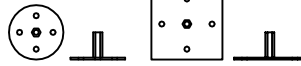
CANNON (917052)

COCOA (917062)

SELECT DESIRED WIND LOAD / DECK PLATES (OPTIONAL):

ROUND

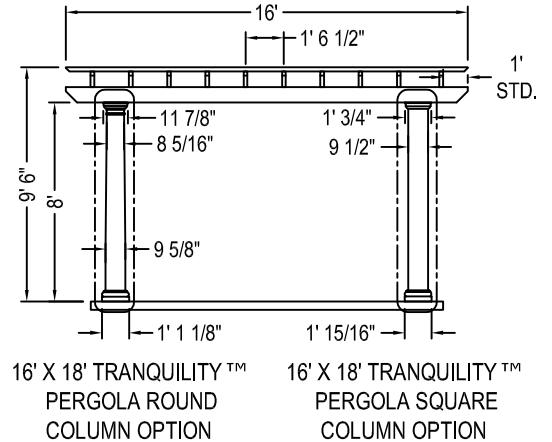
SQUARE



SELECT DESIRED OPTION:

FAN BRACKET (OPTIONAL)

TRANQUILITY™ 16' X 18' FREE STANDING FIBERGLASS PERGOLA	
NO. OF SUPPORT / HEADER BEAMS	4
NO. OF RAFTERS	10
NO. OF PURLINS	16
NO. OF HEADER SUPPORTS	0



A FRONT ELEVATION

SELECT DESIRED RAFTER TAIL DESIGN:

STANDARD:

NAPA (INCLUDED)

SEMI-CUSTOM:

WINDSOR (917007)

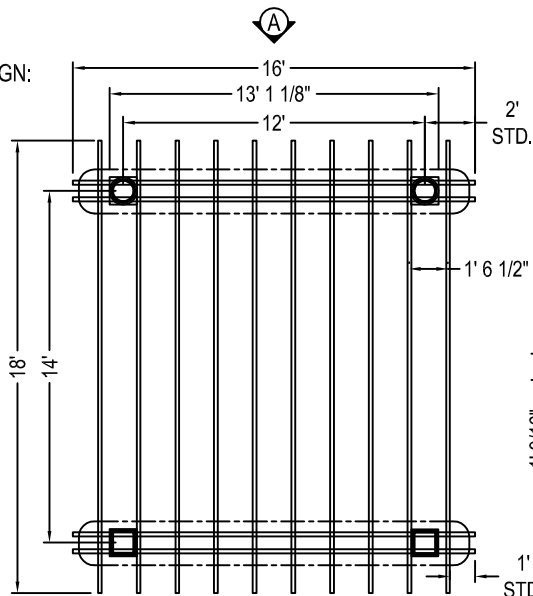
CRAFTSMAN (917002)

KENSINGTON (917003)

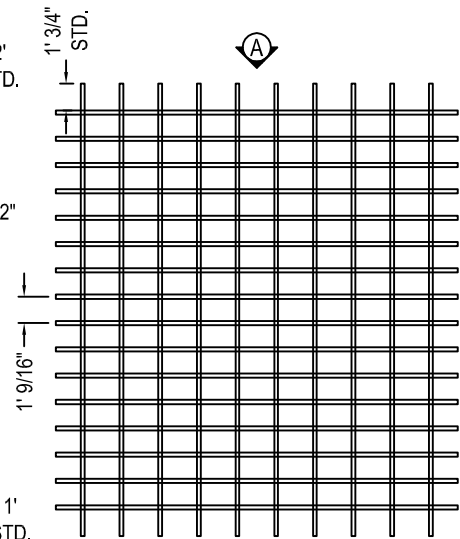
SPARTAN (917006)

ROMAN (917005)

CONTEMPORARY (917001)



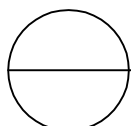
SUPPORT RAFTERS / BEAMS AND RAFTERS
PLAN VIEW



RAFTERS AND PURLINS
PLAN VIEW

NOTES:

1. INSTALLATION TO BE COMPLETED IN ACCORDANCE WITH MANUFACTURER'S SPECIFICATIONS WITH INCLUDED ARBOR-LOC® HARDWARE.
2. NOT PRINTED TO SCALE, CAD MODEL 1:1
3. THIS DRAWING IS INTENDED FOR USE BY ARCHITECTS, ENGINEERS, CONTRACTORS, CONSULTANTS AND DESIGN PROFESSIONALS FOR PLANNING PURPOSES ONLY. THIS DRAWING MAY NOT BE USED FOR CONSTRUCTION.
4. ALL INFORMATION CONTAINED HEREIN WAS CURRENT AT THE TIME OF DEVELOPMENT BUT MUST BE REVIEWED AND APPROVED BY THE PRODUCT MANUFACTURER TO BE CONSIDERED ACCURATE.
5. CONTRACTOR'S NOTE: FOR PRODUCT AND COMPANY INFORMATION VISIT www.CADdetails.com/info AND ENTER REFERENCE NUMBER 5118-015



16' X 18' TRANQUILITY™ FREE-STANDING PERGOLAS

TRANQUILITY™ 16' X 18' FREE-STANDING PERGOLA